



# ALARMS & INDICATION

## XTRA-BRITE COLORED LED FLASHING BEACON WITH HORN 51XBR SERIES

### DESCRIPTION

The **Edwards Signaling 51XBR Series XTRA-BRITE™ LED beacons** are combination visual and audible signaling devices, designed for indoor or outdoor applications. The integrated horn is synchronized with the flashing LED. The unit features a cast metal base that can be used as a junction box. The double fresnel lens is made of shatter-resistant polycarbonate and is designed to magnify the superbright LED.

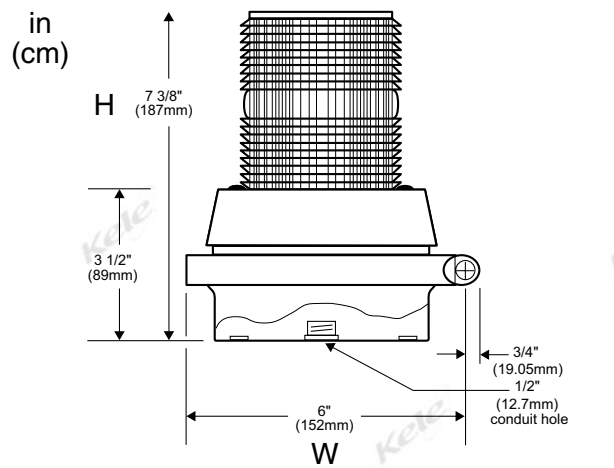
### FEATURES

- LED light source with integrated horn
- Shatter-resistant double fresnel polycarbonate lens
- Five lens color options
- Immune to shock and vibration
- Cast metal base
- Suitable for indoor and outdoor applications

### SPECIFICATIONS

<b>Supply Voltage</b>	
51XBRFx120A	120 VAC, 50/60 Hz, 175 mA
51XBRFx24D	24 VDC, 275 mA
<b>Max. Off State</b>	
Leakage Current:	10 mA
<b>Surge (inrush / duration)</b>	
51XBRFx120A	50 A / 260 μs
51XBRFx24D	10 A / 120 μs
<b>Colors:</b>	Amber, Blue, Green, Red, White
<b>Flash Rate</b>	65 Flashes Per Minute (FPM)
<b>Projected LED Life</b>	148,000 hours
<b>Horn Loudness</b>	85 dB @ 10', Synchronized with FPM.
<b>Strobe Tube Life</b>	148,000 hours
<b>Mounting</b>	Direct surface mount Mounted on 1/2 in. NPT conduit Mounted on a 4 in. octagon box
<b>Operating Temperature</b>	-31°F to 150°F (-35°C to 66°C)
<b>Dimensions</b>	7.38"H x 6"W (18.7cm x 15.2cm)
<b>Weight:</b>	2.14lbs (0.97 Kg)
<b>Approvals:</b>	UL file E340873
<b>Warranty:</b>	1.5 years

### DIMENSIONS



NEW!

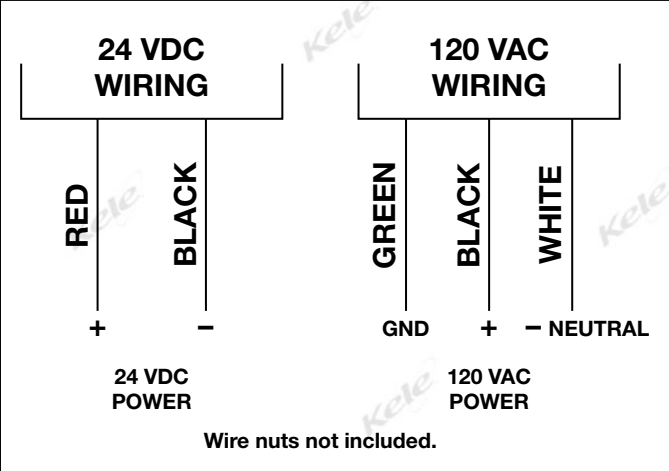
Edwards Signaling



51XBR



### WIRING



### ORDERING INFORMATION

MODEL	DESCRIPTION
51XBRF	Combination flashing LEDs with horns
<b>COLOR</b>	
A	Amber
B	Blue
G	Green
R	Red
W	White
<b>SUPPLY VOLTAGE</b>	
24D	24V DC
120A	120V AC @ 50/60 Hz

**51XBRF - G - 24D** Example: 51XBRFG24D Combination flashing LEDs with horns, green lens, and 24V DC

2

ALARMS & INDICATION

NEW!